

S-Series 1000 Ice Cube Machine



Manitowoc

S-Series 1000
Ice Machine on B-570 Bin



SANITATION

We've made it simple to clean



SAVINGS

The perfect balance of power and efficiency



SOUND

Designed to run whisper-quiet



SERVICEABILITY

Easy access means less downtime

- Up to 1,060 lbs. (481 kgs.) daily ice production
- Only 30" (76.2 cm) wide
- Removable water distribution tube with no tools
- Food zone designed with soft, round, cove corners
- Patented cleaning and sanitizing technology
- Select components made with AlphaSan® antimicrobial
- Patented ice harvest technology reduces energy requirements
- Hinged front door for easy access
- Warranty
 - 5-year parts and 5-year labor coverage on ice machine evaporator
 - 5-year parts and 3-year labor coverage on ice machine compressor
 - 3-year parts-and-labor coverage on all other ice machine, dispenser, and storage bin components



ISO 9001:2000
Quality System
Certified

America's #1 Selling Ice Machine

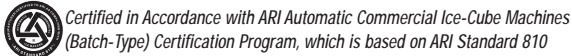
Ice Cube & Flake Machines • Ice Storage Bins • Ice Dispensers

Manitowoc
Foodservice Group

Manitowoc S-Series 1000

Model	Cube size	Ice production 24 hours		Power	
		lbs.	kgs.	kWh/100 lbs.	
SD-1002A	dice	830	376	5.7 1 _{ph}	5.5 3 _{ph}
SD-1003W	dice	910	413	4.7 1 _{ph}	4.5 3 _{ph}
SY-1004A	half-dice	830	376	5.7 1 _{ph}	5.5 3 _{ph}
SY-1005W	half-dice	910	413	4.7 1 _{ph}	4.5 3 _{ph}
REMOTE AIR-COOLED WITH JC-0895A CONDENSER					
SD-1092N	dice	850	386	5.5 1 _{ph}	5.3 3 _{ph}
SY-1094N	half-dice	850	386	5.5 1 _{ph}	5.3 3 _{ph}
Water usage/100 lbs./45.4 kgs. of Ice					
Potable Water: 18 gallons, 68 liters • Water-cooled Condenser: 165 gallons, 625 liters					

Order ice storage bin separately. "A" or "W" following model number indicates "Air" or "Water" condensing unit. Ice storage bin and JC-0895A remote condenser must be ordered separately. Consult remote condenser specification sheet for details. To order 3 phase add "3" suffix to model # (SD-1002A3).



Ice Machine Electric

208-230/60/1 standard. (208-230/60/3 and 230/50/1 also available.)

Min. circuit ampacity: Air-cooled: 13.6 1_{ph} 9.9 3_{ph}
 Water-cooled: 12.6 1_{ph} 8.9 3_{ph}
 Remote: 12.8 1_{ph} 9.9 3_{ph}

Max. fuse size: Air-cooled, Water-cooled, Remote: 20 amps 1_{ph}
 15 amps 3_{ph}

HACR-type circuit breakers can be used in place of fuses.

Specifications

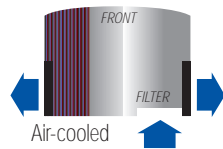
BTU Per Hour:
 16,000 (average) 22,000 (peak)

Compressor:
 Nominal rating: 1-3/4 HP

Cupra-Nickel Condenser:
 (Water-cooled models)
 Adds protection from corrosive water elements.

- Operating Limits:**
- Ambient Temperature Range:**
 Air and water: 40° to 110°F (4.4° to 43.3°C)
 Remote: -20° to 120°F (-29° to 49°C)
 - Water Temperature Range:**
 40° to 90°F (4.4° to 32.2°C)
 - Water Pressure Ice Maker Water In:**
 Min. 20 psi (137.9 kPa)
 Max. 80 psi (551.1 kPa)
 - Condenser Inlet Water In:**
 (Water-cooled only)
 Min. 20 psi (137.9 kPa)
 Max. 150 psi (1,034.2 kPa)

Air Flow Top View



AUCS® SI Accessory

Automatic Cleaning System purchased factory installed in the machine or as an option for field retrofit.

2 Cube Sizes Available

Half Dice
 3/8" x 1 1/8" x 7/8"
 (.95 x 2.86 x 2.22 cm)

Dice
 1/2" x 1 1/8" x 7/8"
 (2.22 x 2.22 x 2.22 cm)



24-HOUR PRODUCTION †										lbs. kgs.	
AIR-COOLED UNIT				WATER-COOLED UNIT				REMOTE AIR-COOLED UNIT			
air temp		water temp		air temp		water temp		air temp		water temp	
°F	50°	70°	90°	°F	50°	70°	90°	°F	50°	70°	90°
°C	10°	21°	32°	°C	10°	21°	32°	°C	10°	21°	32°
70°	1,060	990	910	70°	1,000	930	830	-20° to 70°	960	910	840
21°	481	449	413	21°	454	422	376	-29° to 21°	435	413	381
80°	980	910	840	80°	990	920	820	90°	900	850	780
27°	445	413	381	27°	449	417	372	32°	408	386	354
90°	890	830	760	90°	980	910	810	100°	860	810	740
32°	404	376	345	32°	445	413	367	38°	390	367	336

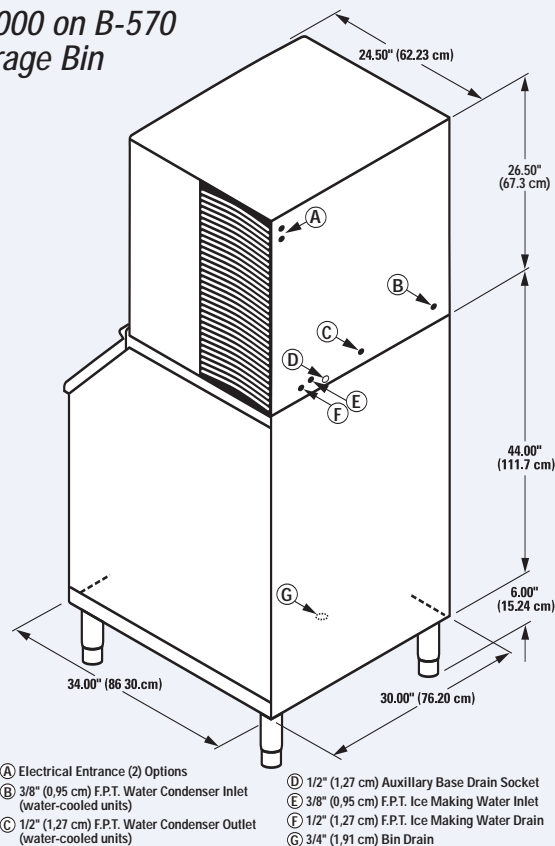
†Production for Dice and Half Dice cubes.

Space-Saving Designs

	S-1000 B-570	S-1000 B-970*
Height	76.50" 194.30 cm	76.50" 194.30 cm
Width	30.00" 76.20 cm	48.00" 121.92 cm
Depth	34.00" 86.30 cm	34.00" 86.30 cm
Bin Storage	430 lbs. 195 kgs.	710 lbs. 322.2 kgs.

Height includes adjustable bin legs 6.00" to 8.00", (15.24 to 20.32 cm) set at 6.00" (15.24 cm). For comparison purposes multiply ARI capacity by 1.3 (30%) to arrive at approximate *Application Rating Capacity. *K-00370 bin adapter required.

S-1000 on B-570 Storage Bin



Installation Note - Minimum installation clearance: Top/sides are 8" (20.32 cm), back is 5" (12.7 cm).



MANITOWOC ICE, INC.
 2110 South 26th Street, P.O. Box 1720
 Manitowoc, WI 54221-1720, USA
 Ph: 920-682-0161 • Fax: 920-683-7589
 Visit us online at www.manitowocice.com



© 2005 Manitowoc BUIS. Continuing product improvement may necessitate change of specifications without notice. 2707B