

S-Series 1800 Ice Cube Machine



NEW



S-Series 1800
Ice Machine on B-970 Bin

- SANITATION**
We've made it simple to clean
- SAVINGS**
The perfect balance of power and efficiency
- SOUND**
Designed to run whisper-quiet
- SERVICEABILITY**
Easy access means less downtime

- Up to 1,880 lbs. (853 kgs.) daily ice production
- Removeable water distribution tube requires no tools to remove
- Food zone designed with soft rounded corners
- Patented cleaning and sanitizing technology
- Select components compounded with AlphaSan® antimicrobial
- Patented ice harvest technology reduces energy requirements
- Hinged front door for easy access
- R-404A CFC-free refrigerant
- Warranty
5-year parts and 5-year labor coverage on ice machine evaporator
5-year parts and 3-year labor coverage on ice machine compressor
3-year parts-and-labor coverage on all other ice machine, dispenser, and storage bin components



ISO 9001:2000
Quality System
Certified

America's #1 Selling Ice Machine

Ice Cube & Flake Machines • Ice Storage Bins • Ice Dispensers

Manitowoc
Foodservice Group

Manitowoc S-Series 1800

Model	Cube size	Ice production 24 hours		Power kWh/100 lbs.
		lbs.	kgs.	
SD-1802A	dice	1,540	699	5.0
SD-1803W	dice	1,710	776	4.0
SY-1804A	half-dice	1,540	699	5.0
SY-1805W	half-dice	1,710	776	4.0
REMOTE AIR-COOLED WITH JC-1395A CONDENSER				
SD-1892N	dice	1,610	730	4.7
SY-1894N	half-dice	1,610	730	4.7

Water usage/100 lbs./45.4 kgs. of ice

Potable Water: 18 gallons, 68.1 liters • Water-cooled Condenser: 155 gallons, 586.7 liters

Order ice storage bin separately. "A" or "W" following model number indicates "Air" or "Water" condensing unit. Ice storage bin and JC-1395A remote condenser must be ordered separately. Consult remote condenser specification sheet for details. To order 3 phase add "3" suffix to model # (SD-1802A3).



Certified in Accordance with ARI Automatic Commercial Ice-Cube Machines (Batch-Type) Certification Program, which is based on ARI Standard 810

Ice Machine Electric

208-230/60/1 standard. (208-230/60/3 and 230/50/1 also available.)

Min. circuit ampacity: Air-cooled: 23.5 1ph 13.4 3ph
Water-cooled: 22.1 1ph 12.0 3ph
Remote: 23.1 1ph 13.0 3ph

Max. fuse size: Air-cooled, Water-cooled, Remote: 40 amps 1ph
20 amps 3ph

HACR-type circuit breakers can be used in place of fuses.

Specifications

BTU Per Hour:

24,000 (average) 36,000 (peak)

Compressor:

Nominal rating: 3 HP

Cupra-Nickel Condenser:

(Water-cooled models)
Adds protection from corrosive water elements.

Operating Limits:

• Ambient Temperature Range:

Air and water:
35° to 110°F (1.67° to 43.3°C)
Remote: -20° to 120°F (-29° to 49°C)

• Water Temperature Range:

35° to 90°F (1.67° to 32.2°C)

• Water Pressure Ice Maker

Water In:

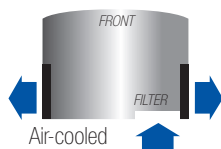
Min. 20 psi (137.9 kPa)
Max. 80 psi (551.1 kPa)

• Condenser Inlet Water In:

(Water-cooled only)
Min. 20 psi (137.9 kPa)
Max. 150 psi (1,034.2 kPa)



Air Flow Top View



AuCS®SI Accessory



Automatic Cleaning System purchased factory installed in the machine or as an option for field retrofit.

2 Cube Sizes Available



Half Dice
3/8" x 1 1/8" x 7/8"
(.95 x 2.86 x 2.22 cm)



Dice
7/8" x 7/8" x 7/8"
(2.22 x 2.22 x 2.22 cm)

24-HOUR PRODUCTION †										lbs. kgs.	
AIR-COOLED UNIT				WATER-COOLED UNIT				REMOTE AIR-COOLED UNIT			
air temp		water temp		air temp		water temp		air temp		water temp	
°F	50°	70°	90°	°F	50°	70°	90°	°F	50°	70°	90°
°C	10°	21°	32°	°C	10°	21°	32°	°C	10°	21°	32°
70°	1,880	1,750	1,610	70°	1,870	1,750	1,530	-20° to 70°	1,800	1,630	1,540
21°	855	795	732	21°	850	795	695	-29° to 21°	818	741	700
80°	1,770	1,660	1,550	80°	1,870	1,730	1,510	90°	1,750	1,610	1,520
27°	805	755	705	27°	850	786	686	32°	795	732	691
90°	1,670	1,540	1,450	90°	1,860	1,710	1,490	100°	1,690	1,630	1,430
32°	759	700	659	32°	845	777	677	38°	767	740	649

†Production for Dice and Half Dice cubes. Data is published for 60 Hz machines. 50 Hz machines produce approximately 7% less ice.

Space-Saving Designs

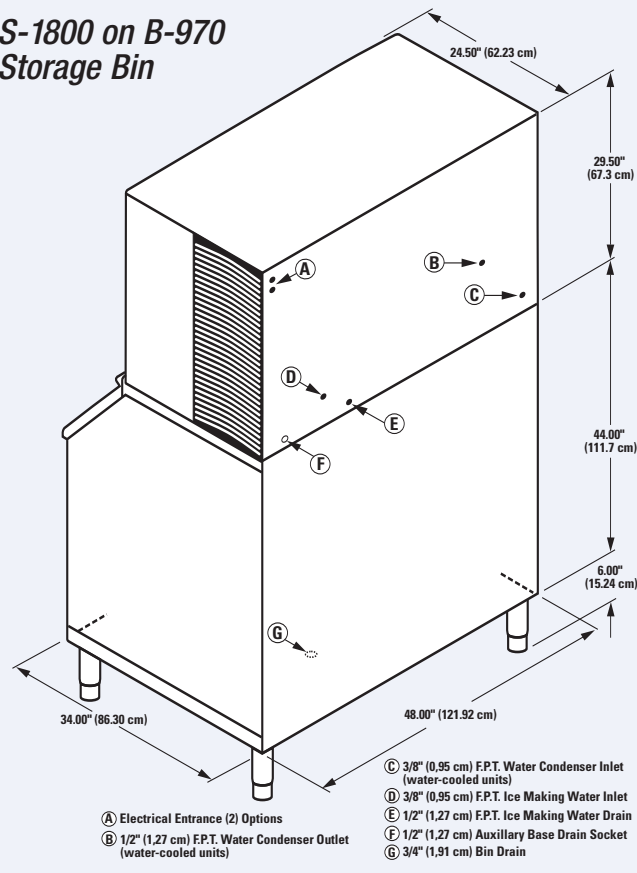
S-1800
B-970



Height	79.50" 201.90 cm
Width	48.00" 121.92 cm
Depth	34.00" 86.30 cm
Bin Storage	710 lbs. 322.2 kgs.

Height includes adjustable bin legs 6.00" to 7.00" (15.24 to 17.78 cm) set at 6.00" (15.24 cm). For comparison purposes multiply ARI capacity by 1.3 (30%) to arrive at approximate "Application Rating Capacity."

S-1800 on B-970 Storage Bin



Installation Note - Minimum installation clearance—
Water and remote units—Top/sides: 8" (20.32 cm), Back: 5" (12.7 cm).
Air-cooled units—Top/sides: 24" (60.96 cm), Back: 12" (30.48 cm).



MANITOWOC ICE, INC.
2110 South 26th Street, P.O. Box 1720
Manitowoc, WI 54221-1720, USA
Ph: 920-682-0161 • Fax: 920-683-7589
Visit us online at www.manitowocice.com

